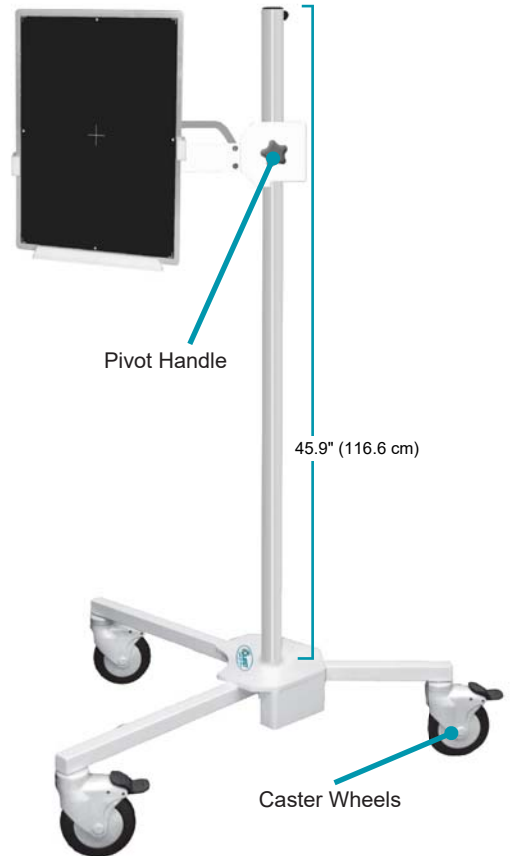
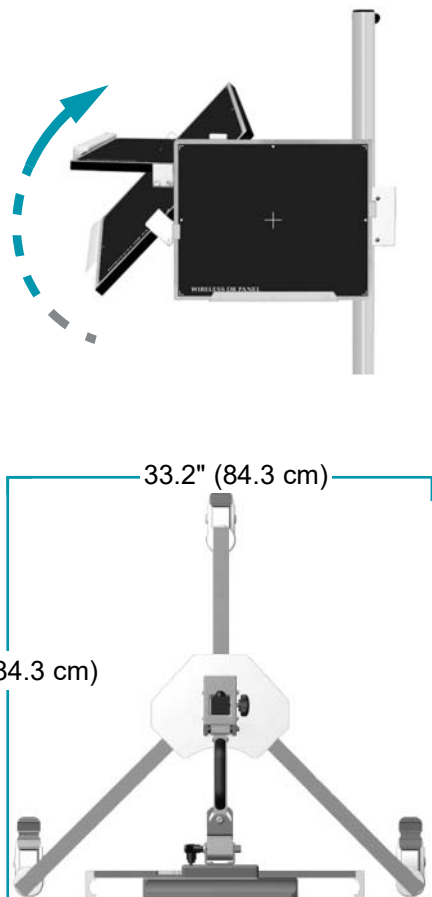


ROLLING CASSETTE HOLDER

The QUEST Rolling Cassette Holder (Q-CHR) is another great addition to any X-Ray examination facility. It accommodates all portable DR Panels, CR and Film Cassettes up to 17" x 17" in size with convenient size adjustment locks.

The ergonomic design provides the ability to position imaging plates around the patient facilitating a precise and stable imaging platform & reduces positioning time which can be critical in some areas, along with providing an excellent platform for performing patellar views.



KEY FEATURES

CAT# Q-CHR

ROLLING CASSETTE HOLDER

- Accommodates portable DR panels, CR or film cassettes, up to 17" X 17"
- Quick and Secure maneuverability around the X-Ray exam room
- Height Adjustable positioning with Vertical travel of up to 45.9" (116.6 cm); Single-Handed Vertical Adjustment Locking Mechanism
- Articulating swivel arm ($\pm 90^\circ$) allows variety of angled positions
- Receptor Rotation: $\pm 90^\circ$ allows angle flexibility
- Assists in acquiring cross-table lateral exams, as well as many other specialty views
- Receptor Tilt: 0° through 90°
- Quick Locking 5" Caster Wheels

**Specifications are subject to change*

WWW.QUESTXRAY.COM



Improve Your Positioning For
Faster & Easier Examinations